



Extension Cables

For Use with 2- or 3-Wire RTD Sensors with M8 Connectors

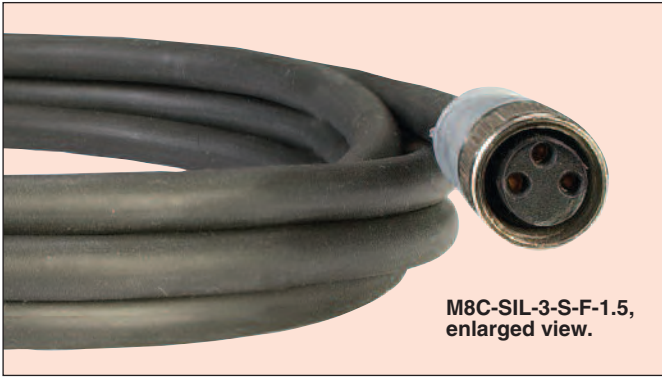
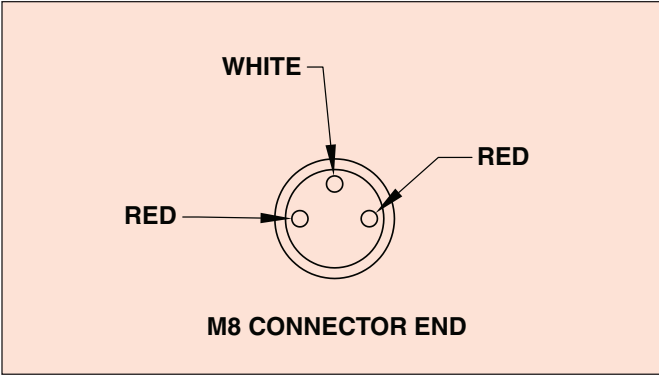
M8C

For M12C Extension Cables Visit omega.com/m12c

- ✓ Extension Cables for Use with M8 Style Sensors
- ✓ Straight and Right Angled Connectors
- ✓ Female M8 Connector One End, Flying Leads on the Other



M8C-SIL-3-S-F-1.5, shown actual size.



Field mountable M8 connectors For details visit omega.com/m8-m12fm All shown actual size.

M8-S-M-FM, \$11 M8-S-F-FM, \$11 M8-R-M-FM, \$11 M8-R-F-FM, \$11

MOST POPULAR MODELS HIGHLIGHTED!

To Order (Specify Model Number)						
Model Number	Termination		Cable Insulation	# of Wires	Cable Length	Price
	First End	Second End				
M8C-SIL-3-S-F-1.5	Straight 3-pin M8 female	Flying leads 2-red, 1-white	Silicone	3	1.5 m (4.9')	
M8C-SIL-3-S-F-3	Straight 3-pin M8 female	Flying leads 2-red, 1-white	Silicone	3	3 m (9.8')	
M8C-SIL-3-S-F-5	Straight 3-pin M8 female	Flying leads 2-red, 1-white	Silicone	3	5 m (16.4')	
M8C-SIL-3-R-F-1.5	Right angled 3-pin M8 female	Flying leads 2-red, 1-white	Silicone	3	1.5 m (4.9')	
M8C-SIL-3-R-F-3	Right angled 3-pin M8 female	Flying leads 2-red, 1-white	Silicone	3	3 m (9.8')	
M8C-SIL-3-R-F-5	Right angled 3-pin M8 female	Flying leads 2-red, 1-white	Silicone	3	5 m (16.4')	

Ordering Example: M8C-SIL-3-S-F-3, Silicone insulated extension cable, 3 m (9.8') L, straight female M8 connector one end, 2-red and 1-white flying leads on the other.



UNITED STATES

www.omega.com
1-800-TC-OMEGA
Stamford, CT.

CANADA

www.omega.ca
Laval(Quebec)
1-800-TC-OMEGA

GERMANY

www.omega.de
Deckenpfronn, Germany
0800-8266342

UNITED KINGDOM

www.omega.co.uk
Manchester, England
0800-488-488

FRANCE

www.omega.fr
Guyancourt, France
088-466-342

CZECH REPUBLIC

www.omegaeng.cz
Karviná, Czech Republic
596-311-899

BENELUX

www.omega.nl
Amstelveen, NL
0800-099-33-44



More than 100,000 Products Available!

• Temperature

Calibrators, Connectors, General Test and Measurement Instruments, Glass Bulb Thermometers, Handheld Instruments for Temperature Measurement, Ice Point References, Indicating Labels, Crayons, Cements and Lacquers, Infrared Temperature Measurement Instruments, Recorders Relative Humidity Measurement Instruments, RTD Probes, Elements and Assemblies, Temperature & Process Meters, Timers and Counters, Temperature and Process Controllers and Power Switching Devices, Thermistor Elements, Probes and Assemblies, Thermocouples Thermowells and Head and Well Assemblies, Transmitters, Wire

• Flow and Level

Air Velocity Indicators, Doppler Flowmeters, Level Measurement, Magnetic Flowmeters, Mass Flowmeters, Pitot Tubes, Pumps, Rotameters, Turbine and Paddle Wheel Flowmeters, Ultrasonic Flowmeters, Valves, Variable Area Flowmeters, Vortex Shedding Flowmeters

• pH and Conductivity

Conductivity Instrumentation, Dissolved Oxygen Instrumentation, Environmental Instrumentation, pH Electrodes and Instruments, Water and Soil Analysis Instrumentation

• Data Acquisition

Auto-Dialers and Alarm Monitoring Systems, Communication Products and Converters, Data Acquisition and Analysis Software, Data Loggers Plug-in Cards, Signal Conditioners, USB, RS232, RS485 and Parallel Port Data Acquisition Systems, Wireless Transmitters and Receivers

• Pressure, Strain and Force

Displacement Transducers, Dynamic Measurement Force Sensors, Instrumentation for Pressure and Strain Measurements, Load Cells, Pressure Gauges, Pressure Reference Section, Pressure Switches, Pressure Transducers, Proximity Transducers, Regulators, Strain Gages, Torque Transducers, Valves

• Heaters

Band Heaters, Cartridge Heaters, Circulation Heaters, Comfort Heaters, Controllers, Meters and Switching Devices, Flexible Heaters, General Test and Measurement Instruments, Heater Hook-up Wire, Heating Cable Systems, Immersion Heaters, Process Air and Duct, Heaters, Radiant Heaters, Strip Heaters, Tubular Heaters