

# Precision IR Thermocouples

## 6° (10:1) Field of View

OS36-10-K  
\$499



- ✓ Built-in Air Purge
- ✓ K Thermocouple Output Signal
- ✓ Self-Powered
- ✓ Temperature Compensated

The OS36-10 Series provides precise temperature control for optimum product quality and maximum throughput. Like conventional thermocouples, all IR thermocouples do not require external power and plug into your controller, PLC, data logger, recorder or data acquisition system. They simply measure temperature without contact. The internal air purge passages provide a highly efficient method of maintaining optical cleanliness in harsh environments.

### Specifications

- Range:** -45 to 1370°C (-50 to 2500°F)†
  - Field-of-View:** 6° (10:1)
  - Minimum Spot Size:** 20 mm (0.8")
  - Output Impedance:** 4 to 8 kΩ (varies by model)
  - Operating Ambient Temperature Range:** -18 to 85°C (0 to 185°F)
  - Air Purge:** Built-in
  - Ambient Temperature Compensation:** With air flow of 1.1 SCFM (20 psig) maximum ambient is 204°C (400°F)
  - Dimensions:** 9.55 L x 3.49 cm Dia. (3.76 x 1.375"); 0.9 m (36") PFA coated lead wires
  - Weight:** 184 g (6.5 oz) with cable
- † See range chart for linear ranges. Measurement is practical beyond thermocouple table values by use of radiation laws. Polynomials available upon request.

### Range Chart

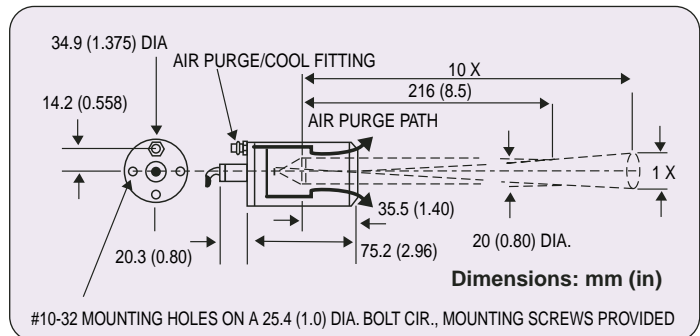
**MOST POPULAR RANGE HIGHLIGHTED!**

Range Code	Temperature Range (2% Accuracy)
50F	-18 to 27°C (0 to 80°F)
80F	10 to 49°C (50 to 120°F)
98.6F	16 to 39°C (60 to 102°F)
140F	25 to 80°C (80 to 180°F)
180F	70 to 104°C (160 to 220°F)
240F	95 to 130°C (200 to 270°F)
280F	125 to 155°C (260 to 310°F)
340F	145 to 175°C (290 to 350°F)
440F	170 to 250°C (340 to 480°F)

CNi8D shown with iSeries controller. see page P-15 for details.



OS36-10-K, \$499, shown smaller than actual size.



**AVAILABLE FOR FAST DELIVERY!**

To Order (Specify Model Number)		
Model No.	Price	Description
OS36-10-K-(*)	\$499	K Thermocouple

### Accessory

Model No.	Price	Description
CS-3628	\$36	Reference Book: Excel for Engineers and Scientists

\* Specify temperature range code from range chart at right. Comes complete with operator's manual.

**Note:** Stripped leads are standard. To order with GMP subminiature low-noise thermocouple connector pair, add suffix "-GMP" to model number, and \$12 to price. To order with GST standard size low-noise thermocouple connector pair, add suffix "-GST" to model number, and \$12 to price.

**Ordering Example:** OS36-10-K-140F-GST IR thermocouple sensor Type K, with 25 to 80°C (80 to 180°F) range, GST low-noise subminiature connectors, \$499 + 12 = \$511. OCW-2, OMEGACARE<sup>SM</sup> extends standard 2-year warranty to a total of 4 years (\$89), \$499 + 89 = \$588.

# omega.co.uk®

Your One-Stop Source for Process Measurement and Control!

Freephone 0800 488 488 | International +44(0) 161 777 6622 | Fax +44(0) 161 777 6622 | Sales@omega.co.uk

[www.omega.co.uk](http://www.omega.co.uk)



#### UNITED STATES

[www.omega.com](http://www.omega.com)

1-800-TC-OMEGA  
Stamford, CT.

#### UNITED KINGDOM

[www.omega.co.uk](http://www.omega.co.uk)

Manchester, England  
0800-488-488  
+44-(0)161-777-6611

#### CANADA

[www.omega.ca](http://www.omega.ca)

Laval(Quebec)  
1-800-TC-OMEGA

#### FRANCE

[www.omega.fr](http://www.omega.fr)

0800-466-342

#### GERMANY

[www.omega.de](http://www.omega.de)

Deckenfronn, Germany  
0800-8266342

#### BENELUX

[www.omega.nl](http://www.omega.nl)

0800-099-33-44



## More than 100,000 Products Available!

### • Temperature

Calibrators, Connectors, General Test and Measurement Instruments, Handheld Instruments for Temperature Measurement, Ice Point References, Indicating Labels, Crayons, Cements and Lacquers, Infrared Temperature Measurement Instruments, Recorders, Relative Humidity Measurement Instruments, PT100 Probes, PT100 Elements, Temperature & Process Meters, Timers and Counters, Temperature and Process Controllers and Power Switching Devices, Thermistor Elements, Probes and Assemblies, Thermocouples, Thermowells and Head and Well Assemblies, Transmitters, Thermocouple Wire, RTD Probes

### • Flow and Level

Air Velocity Indicators, Doppler Flowmeters, Level Measurement, Magnetic Flowmeters, Mass Flowmeters, Pitot Tubes, Pumps, Rotameters, Turbine and Paddle Wheel Flowmeters, Ultrasonic Flowmeters, Valves, Variable Area Flowmeters, Vortex Shedding Flowmeters

### • pH and Conductivity

Conductivity Instrumentation, Dissolved Oxygen Instrumentation, Environmental Instrumentation, pH Electrodes and Instruments, Water and Soil Analysis Instrumentation

### • Data Acquisition

Communication Products and Converters, Data Acquisition and Analysis Software, Data Loggers Plug-in Cards, Signal Conditioners, USB, RS232, RS485, Ethernet and Parallel Port Data Acquisition Systems, Wireless Transmitters and Receivers

### • Pressure, Strain and Force

Displacement Transducers, Dynamic Measurement Force Sensors, Instrumentation for Pressure and Strain Measurements, Load Cells, Pressure Gauges, Pressure Reference Section, Pressure Switches, Pressure Transducers, Proximity Transducers, Regulators, Pressure Transmitters, Strain Gauges, Torque Transducers, Valves

### • Heaters

Band Heaters, Cartridge Heaters, Circulation Heaters, Comfort Heaters, Controllers, Meters and Switching Devices, Flexible Heaters, General Test and Measurement Instruments, Heater Hook-up Wire, Heating Cable Systems, Immersion Heaters, Process Air and Duct, Heaters, Radiant Heaters, Strip Heaters, Tubular Heaters