



# Programmable Universal Verbalizer 1/8 DIN Panel Meter

## OMEGASAYS®



UV1000-PM, \$285, shown smaller than actual size.

UV1000-PM  
**\$285**

### PATENT NOTICE

U.S. Patent No. 7,400,133. U.S. Patent No. 6,243,021; 6,329,926 used under license. Other U.S. and International patents pending.



OMEGACARE<sup>SM</sup> extended warranty program is available for models shown on this page. Ask your sales representative for full details when placing an order. OMEGACARE<sup>SM</sup> covers parts, labor and equivalent loaners.



- ✓ Verbalizes/Displays Analog Inputs—0 to 10 Vdc, 0 to 20 mA or 4 to 20 mA, and Types K, J, T, and R Thermocouple Input in Engineering Units
- ✓ Scaling Analog Inputs
- ✓ 2 Alarm Outputs in Three Different Formats:
  - Mechanical Relay
  - Audio (Speech)
  - Visual (LED Display with Color Change)
- ✓ User Friendly PC Interface Allows User to Configure and Program the Unit
- ✓ Alarm Output with Adjustable Deadband
- ✓ Color Change LED Display—Green, Amber and Red

- ✓ Built-In Speaker and External Loudspeaker Included
- ✓ Over 100 Built-In Audible Engineering Units to Choose From
- ✓ Selectable Decimal Point—Decimal Points Auto Shifting on the Display
- ✓ Selectable Speech Interval 0 to 120 Seconds
- ✓ Verbalizes Signals While Connected to the Sensors or Other Measurement and Control Devices
- ✓ Front Buttons Provide Input Selection, Command/Continuous Talk Selection and Volume Control
- ✓ Power Supply: 90 to 240 Vac ±10%, 50 to 400 Hz

\*No CE compliance above 60 Hz

The new UV1000-PM universal verbalizer is an innovative panel meter that can verbalize and display process signals 0 to 10 Vdc, 0 to 20 mA or 4 to 20 mA, and Type J, K, T, and R thermocouple signals. You can configure/program the verbalizer through the friendly PC user interface software to specify the input range, display decimal point, analog input scaling, audible engineering unit, and high/low alarm set point. Select from over 100 engineering units while configuring the verbalizer. The front buttons allows the user to select different inputs, command/continuous talk, and adjust volume. The UV1000-PM is a creative solution for process monitoring almost any type of measurement with speech/display/alarming.

**CAUTION!** – This product is not intended for medical use or use on humans





## Verbaview User Software



999.9

1000

AutoScaling automatically shifts the decimal point right or left depending on the process value of the meter.

### Specifications

**Display Range:** -999 to 9999 counts (highest display resolution mode -9.99 to 9.999, Automatically shifts the decimal point right or left depending on the process value of the meter)

**Verbalize (Speech) Range:** ±9999 counts (highest speech resolution mode -9999.999 to 9999.999 counts)

**Command/Continuous Talk:** Command/continuous speech mode selection from the button

**Volume Control:** Set via front buttons keypad, 8 levels at 4 dB intervals

**Color Change LED Display:** Three color change LED display; **GREEN** (normal operation condition), **AMBER** (in TC open or overrange condition) and **Red** (in alarm condition)

**Display Decimal Points Auto Shifting:** Automatically shifts the decimal point right or left depending on the process value of the meter on the LED display within your selected decimal point

**Relay Outputs:** 2 Form C (SPDT) relays, 250 Vac or 30 Vdc @ 3A (resistive load)

**Power Input:** 90 to 240 Vac, 50 to 400 Hz  
110 to 375 Vdc, equivalent voltage

**PC User Interface Software Features:**

- Selectable talking interval, 0 to 120 sec
- Selectable decimal point
- Adjustable input offset
- High and low alarm settings
- Analog input scaling
- Change engineering unit—over 100 engineering unit selections
- Selectable alarm output dead band

**Selectable Alarm Deadband:**

Range 0 to 999

**Maximum Recommended**

**Wire Size:** 18 AWG

**Inductive Loads:** To prolong relay contact life and suppress interference, it is a recommended engineering practice to use a snubber circuit, such as OMEGA's CNQUENCHARC

**Input Select Indication:** Green LED

**Alarm Indication:** Flash red LED, LED display color changing

**Speech Sampling Rate:** 8 KHz

**Speaker:** Built-in and external speaker, 8 Ω

**Operating Ambient Temperature:**

0 to 50°C (32 to 122°F)

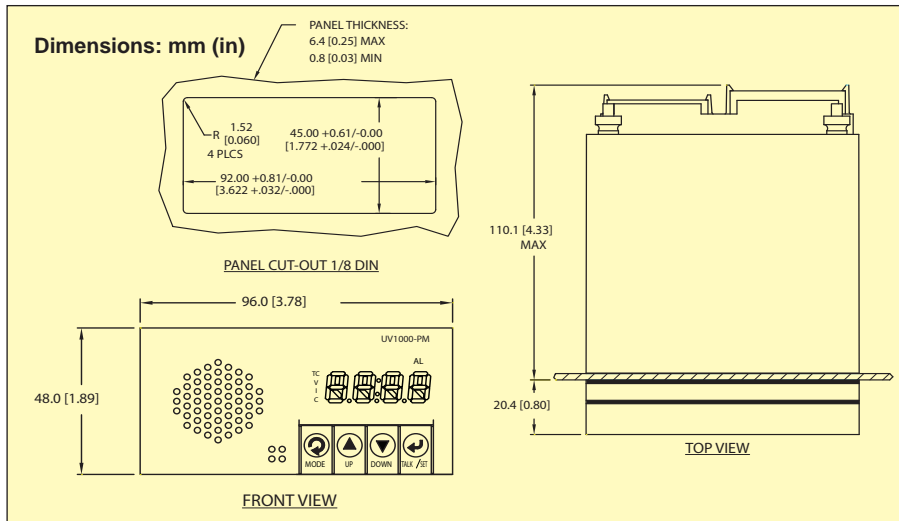
**Operating Relative Humidity:**

0 to 95% RH (non-condensing)

**Dimensions:** 131 L x 96 W x 48 mm D (5.13 x 3.78 x 1.89")

**Panel Cutout Size:** ½ DIN

**Weight:** 250 g (0.55 lb)



### Inputs

	Input Types	Range	Accuracy
	Process Voltage	0 to 10 Vdc	0.2% of full scale
	Process Current	0 to 20 mA or 4 to 20mA	0.2% of full scale
<b>K</b>	CHROMEGA®-ALOMEGA®	-148 to 1600°F -100 to 871°C	3.6°F 2°C
<b>J</b>	Iron-Constantan	-103 to 1202°F -75 to 650°C	3.6°F 2°C
<b>T</b>	Copper-Constantan	-103 to 716°F -75 to 380°C	1.8°F 1.0°C
<b>R</b>	Pt/13%Rh-Pt	500 to 3110°F 260 to 1710°C	3.6°F 2°C

AVAILABLE FOR FAST DELIVERY!

To Order (Specify Model Number)		
Model No.	Price	Description
<b>UV1000-PM</b>	<b>\$285</b>	Universal verbalizer, English, with 2 relays: form "C" SPDT 3 A @ 30 Vdc, 3 A @ 250 Vac, external loudspeaker

*Comes complete with operator's manual, external speaker, and CD with configuration program.*

**Ordering Example:** UV1000-PM, universal verbalizer, English, \$285.

# omega.co.uk®

Your One-Stop Source for Process Measurement and Control!

Freephone 0800 488 488 | International +44(0) 161 777 6622 | Fax +44(0) 161 777 6622 | Sales@omega.co.uk

[www.omega.co.uk](http://www.omega.co.uk)



#### UNITED STATES

[www.omega.com](http://www.omega.com)

1-800-TC-OMEGA  
Stamford, CT.

#### CANADA

[www.omega.ca](http://www.omega.ca)

Laval(Quebec)  
1-800-TC-OMEGA

#### GERMANY

[www.omega.de](http://www.omega.de)

Deckenfronn, Germany  
0800-8266342

#### UNITED KINGDOM

[www.omega.co.uk](http://www.omega.co.uk)

Manchester, England  
0800-488-488  
+44-(0)161-777-6611

#### FRANCE

[www.omega.fr](http://www.omega.fr)

0800-466-342

#### BENELUX

[www.omega.nl](http://www.omega.nl)

0800-099-33-44



## More than 100,000 Products Available!

### • Temperature

Calibrators, Connectors, General Test and Measurement Instruments, Handheld Instruments for Temperature Measurement, Ice Point References, Indicating Labels, Crayons, Cements and Lacquers, Infrared Temperature Measurement Instruments, Recorders, Relative Humidity Measurement Instruments, PT100 Probes, PT100 Elements, Temperature & Process Meters, Timers and Counters, Temperature and Process Controllers and Power Switching Devices, Thermistor Elements, Probes and Assemblies, Thermocouples, Thermowells and Head and Well Assemblies, Transmitters, Thermocouple Wire, RTD Probes

### • Flow and Level

Air Velocity Indicators, Doppler Flowmeters, Level Measurement, Magnetic Flowmeters, Mass Flowmeters, Pitot Tubes, Pumps, Rotameters, Turbine and Paddle Wheel Flowmeters, Ultrasonic Flowmeters, Valves, Variable Area Flowmeters, Vortex Shedding Flowmeters

### • pH and Conductivity

Conductivity Instrumentation, Dissolved Oxygen Instrumentation, Environmental Instrumentation, pH Electrodes and Instruments, Water and Soil Analysis Instrumentation

### • Data Acquisition

Communication Products and Converters, Data Acquisition and Analysis Software, Data Loggers Plug-in Cards, Signal Conditioners, USB, RS232, RS485, Ethernet and Parallel Port Data Acquisition Systems, Wireless Transmitters and Receivers

### • Pressure, Strain and Force

Displacement Transducers, Dynamic Measurement Force Sensors, Instrumentation for Pressure and Strain Measurements, Load Cells, Pressure Gauges, Pressure Reference Section, Pressure Switches, Pressure Transducers, Proximity Transducers, Regulators, Pressure Transmitters, Strain Gauges, Torque Transducers, Valves

### • Heaters

Band Heaters, Cartridge Heaters, Circulation Heaters, Comfort Heaters, Controllers, Meters and Switching Devices, Flexible Heaters, General Test and Measurement Instruments, Heater Hook-up Wire, Heating Cable Systems, Immersion Heaters, Process Air and Duct, Heaters, Radiant Heaters, Strip Heaters, Tubular Heaters